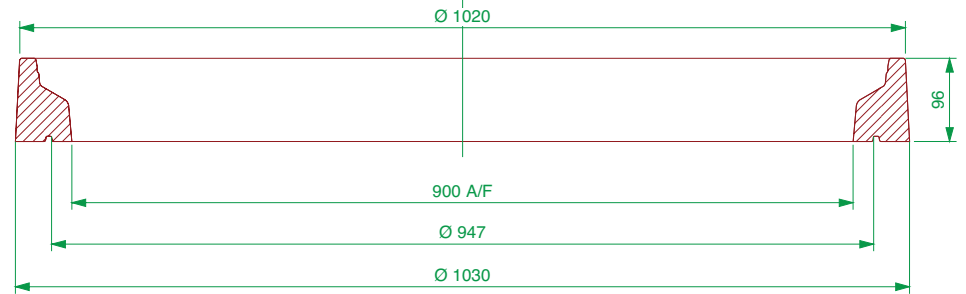
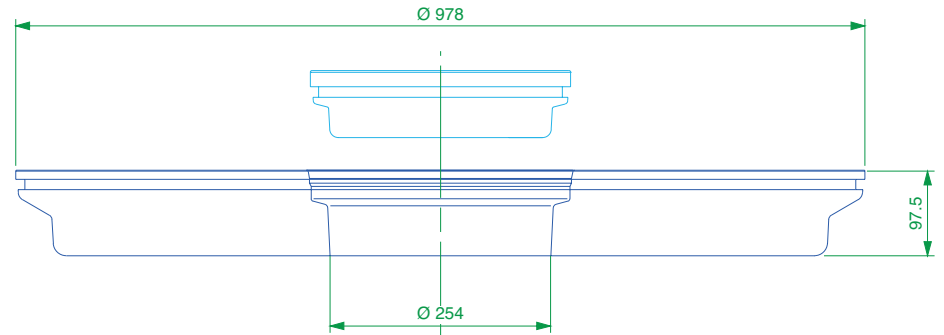
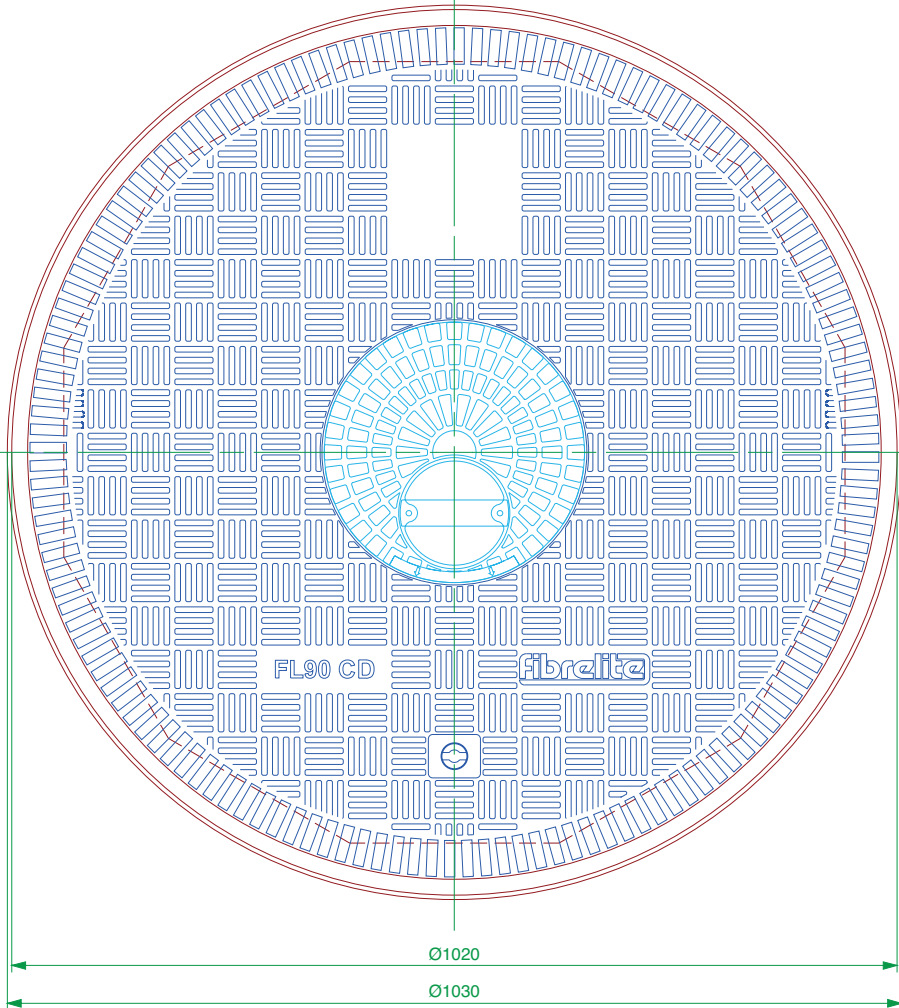
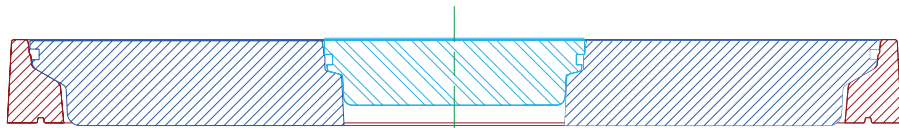


900mm dia. watertight flat sealed composite cover and frame, with a central dip port cover.

For reference purposes only. This drawing is not a specification. Order against product code only. To enable continuous improvement of our products, the designs and specifications are subject to change without notice.

**FIBRELITE**   
PART OF OPW A DOVER COMPANY



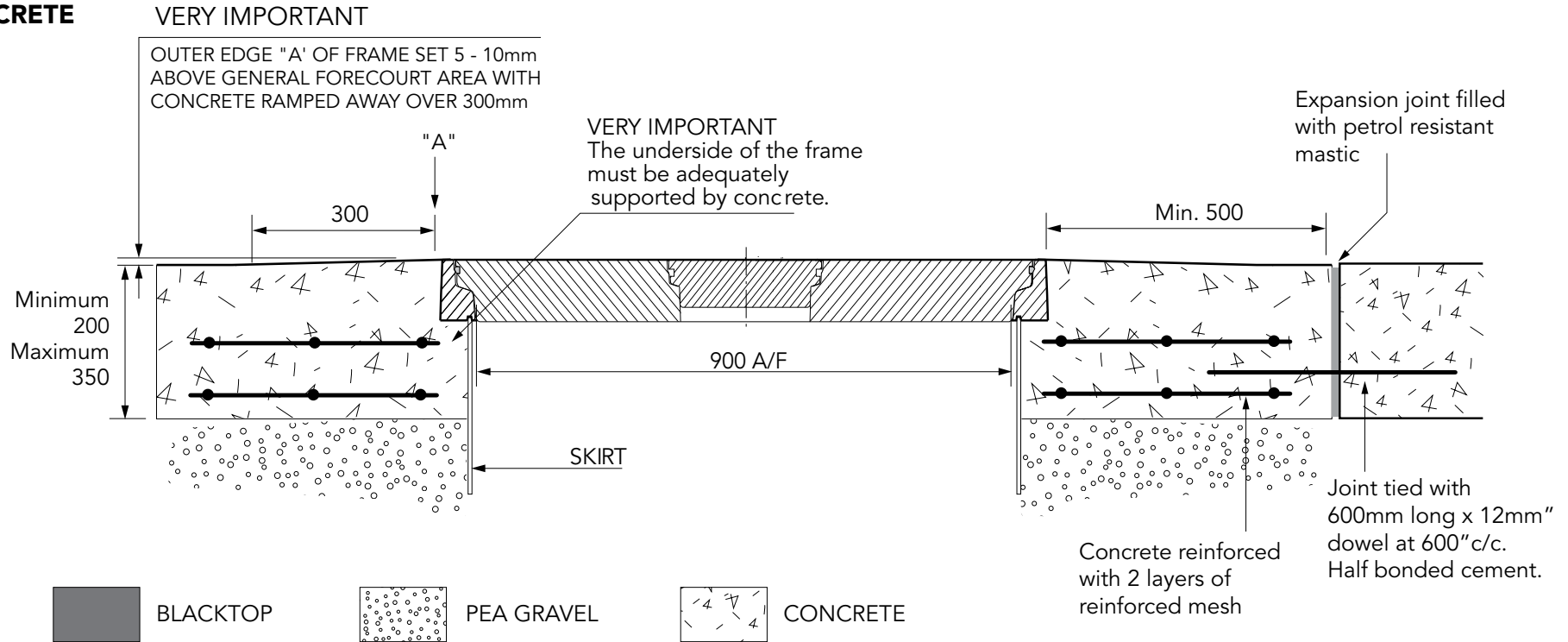
Load Rating	Cover Weight	Frame Weight
B125	25 kg	9.5 kg
C250	34 kg	9.5 kg
D400	47 kg	9.5 kg

900mm dia. watertight flat sealed composite cover and frame, with a central dip port cover.

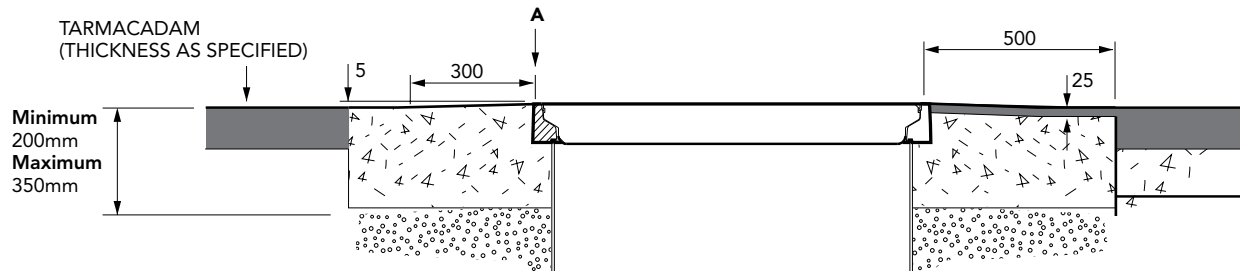
For reference purposes only. This drawing is not a specification. Order against product code only. To enable continuous improvement of our products, the designs and specifications are subject to change without notice.



# CONCRETE



# TARMACADAM



900mm dia. watertight flat sealed composite cover and frame, with a central dip port cover.

For reference purposes only. This drawing is not a specification. Order against product code only. To enable continuous improvement of our products, the designs and specifications are subject to change without notice.

