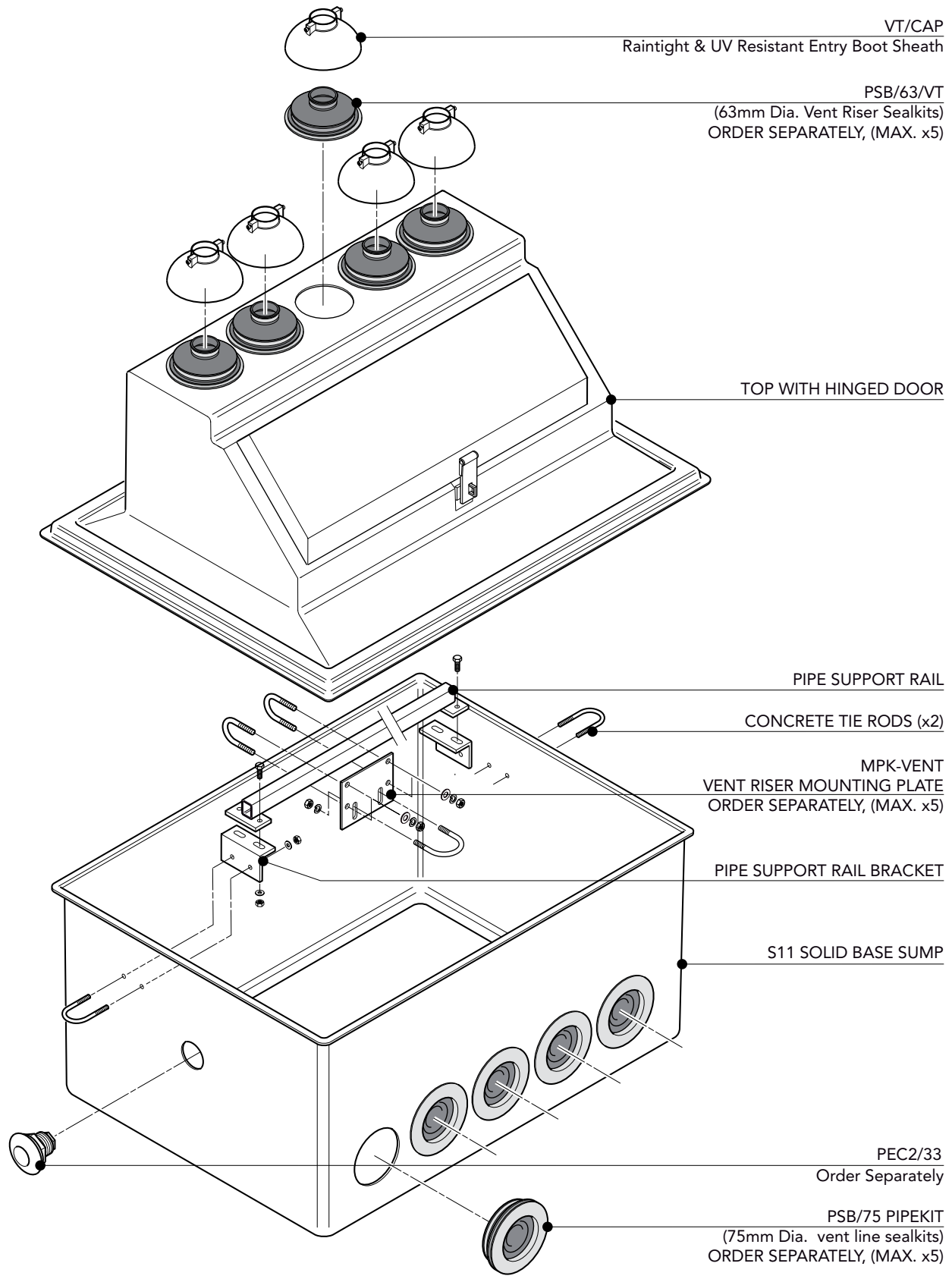


Fits up to 5 Vent Lines

Vent pipe transition sump, 1100mm x 800mm x 525mm below ground solid base sump, with 450mm high above ground sealed top with lockable hinged door. Includes pipework support rail and fixings. Order pipe entry boots PSB/75, PSB/63/VT & vent riser mounting brackets MPK-VENT separately.

For reference purposes only. This drawing is not a specification. Order against product code only. To enable continuous improvement of our products, the designs and specifications are subject to change without notice.

FIBRELITE 
PART OF OPW A DOVER COMPANY



VT/CAP
Raintight & UV Resistant Entry Boot Sheath

PSB/63/VT
(63mm Dia. Vent Riser Sealkits)
ORDER SEPARATELY, (MAX. x5)

TOP WITH HINGED DOOR

PIPE SUPPORT RAIL

CONCRETE TIE RODS (x2)

MPK-VENT
VENT RISER MOUNTING PLATE
ORDER SEPARATELY, (MAX. x5)

PIPE SUPPORT RAIL BRACKET

S11 SOLID BASE SUMP

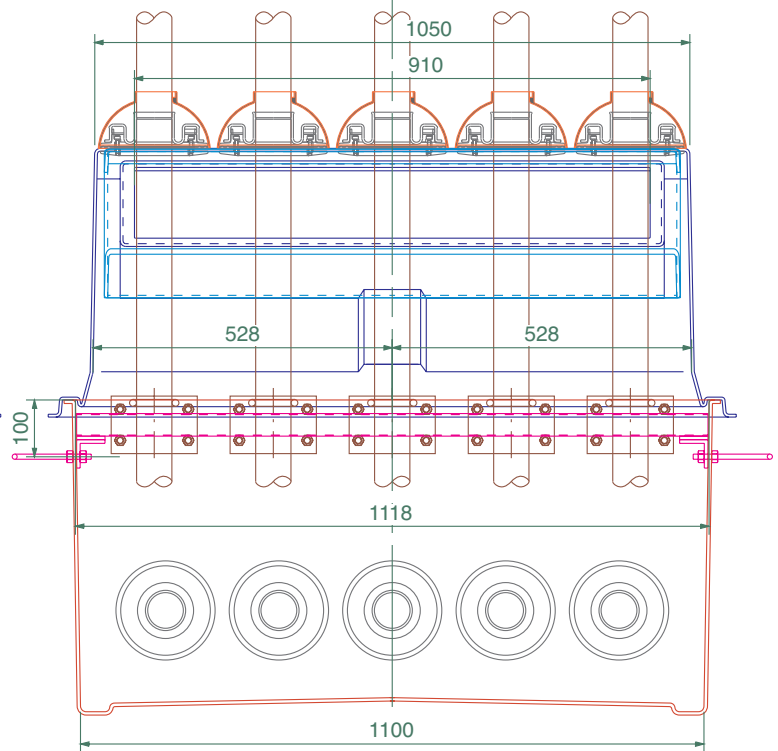
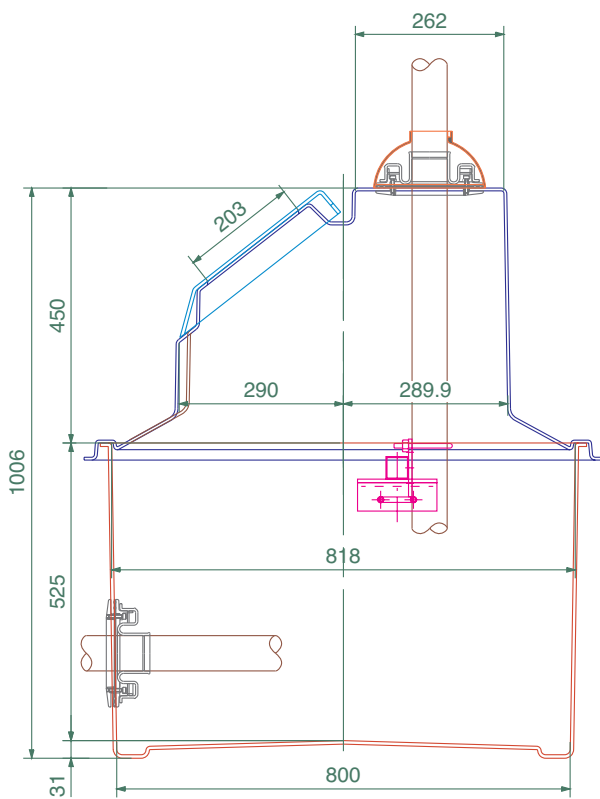
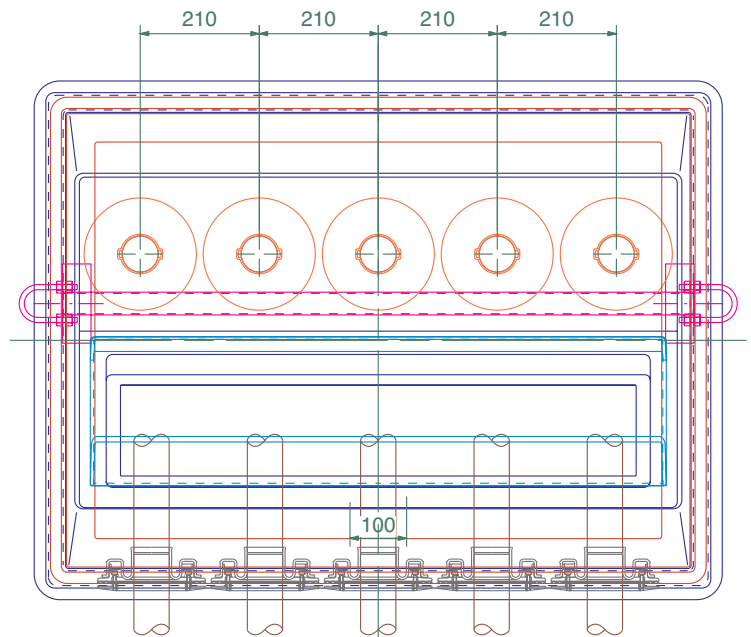
PEC2/33
Order Separately

PSB/75 PIPEKIT
(75mm Dia. vent line sealkits)
ORDER SEPARATELY, (MAX. x5)

Vent pipe transition sump. 1100mm x 800mm x 525mm below ground solid base sump, with 450mm high above ground sealed top with lockable hinged door. Includes pipework support rail and fixings. Order pipe entry boots PSB/75, PSB/63/VT & vent riser mounting brackets MPK-VENT separately.

For reference purposes only. This drawing is not a specification. Order against product code only. To enable continuous improvement of our products, the designs and specifications are subject to change without notice.





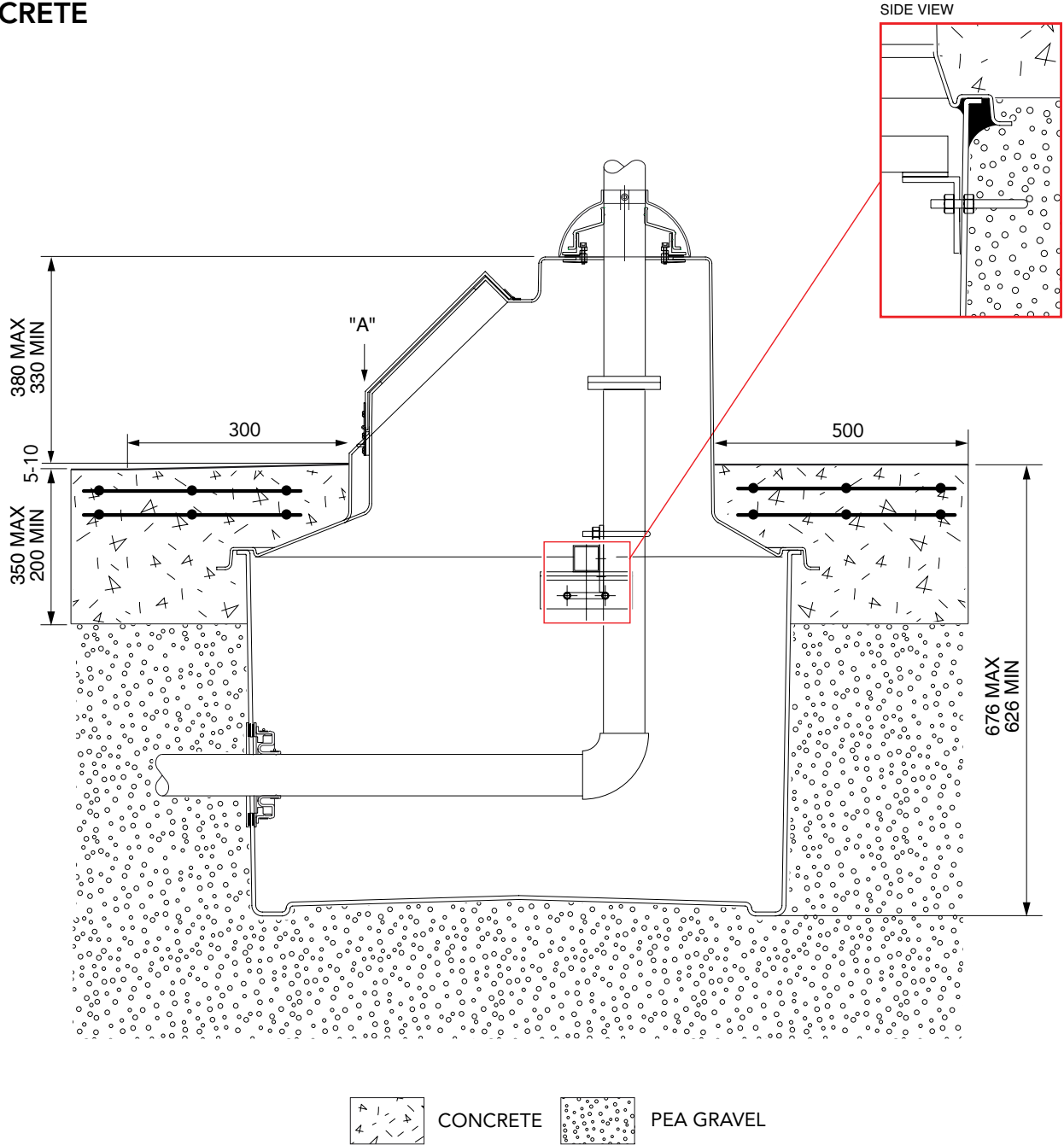
Vent pipe transition sump. 1100mm x 800mm x 525mm below ground solid base sump, with 450mm high above ground sealed top with lockable hinged door. Includes pipework support rail and fixings. Order pipe entry boots PSB/75, PSB/63/VT & vent riser mounting brackets MPK-VENT separately.

For reference purposes only. This drawing is not a specification. Order against product code only. To enable continuous improvement of our products, the designs and specifications are subject to change without notice.

FIBRELITE 
PART OF OPW A DOVER COMPANY

TYPICAL INSTALLATION

CONCRETE



Vent pipe transition sump, 1100mm x 800mm x 525mm below ground solid base sump, with 450mm high above ground sealed top with lockable hinged door. Includes pipework support rail and fixings. Order pipe entry boots PSB/75, PSB/63/VT & vent riser mounting brackets MPK-VENT separately.

For reference purposes only. This drawing is not a specification. Order against product code only. To enable continuous improvement of our products, the designs and specifications are subject to change without notice.

FIBRELITE

PART OF OPW A DOVER COMPANY