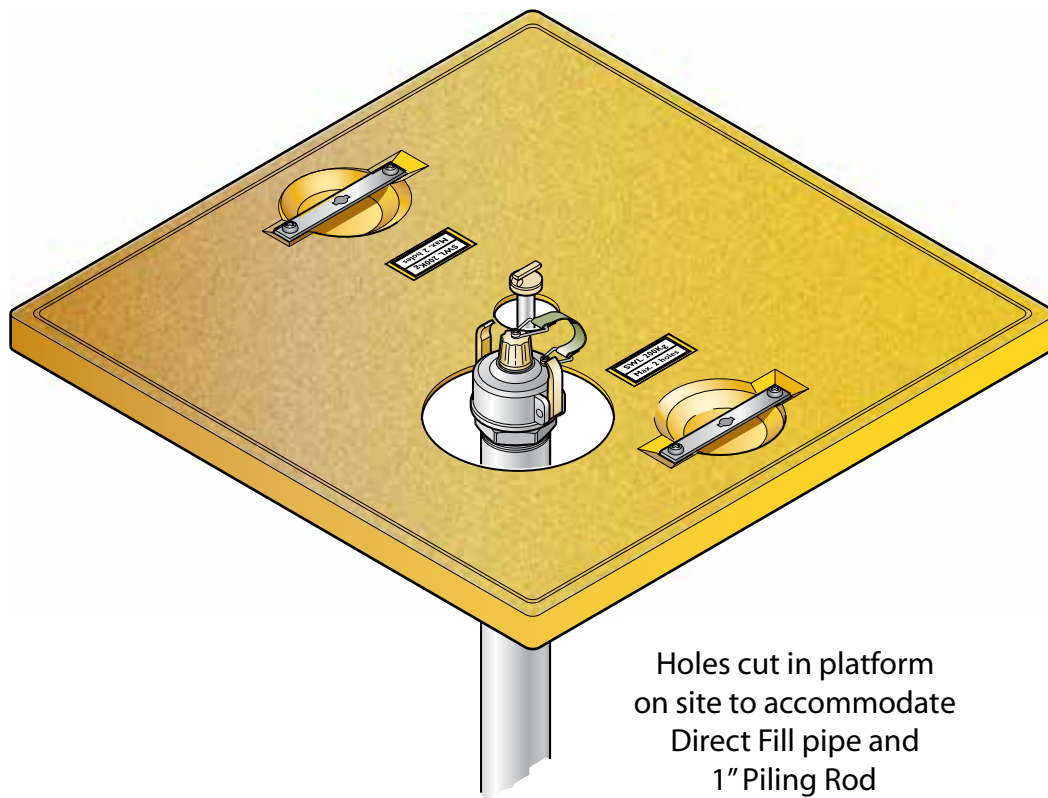


Solid structural platform with hole markings for a offset direct fill and central dipstick. Fits square chamber systems with a FL76 cover. Holes cut on site. Anti-slip surface.

For reference purposes only. This drawing is not a specification. Order against product code only. To enable continuous improvement of our products, the designs and specifications are subject to change without notice.

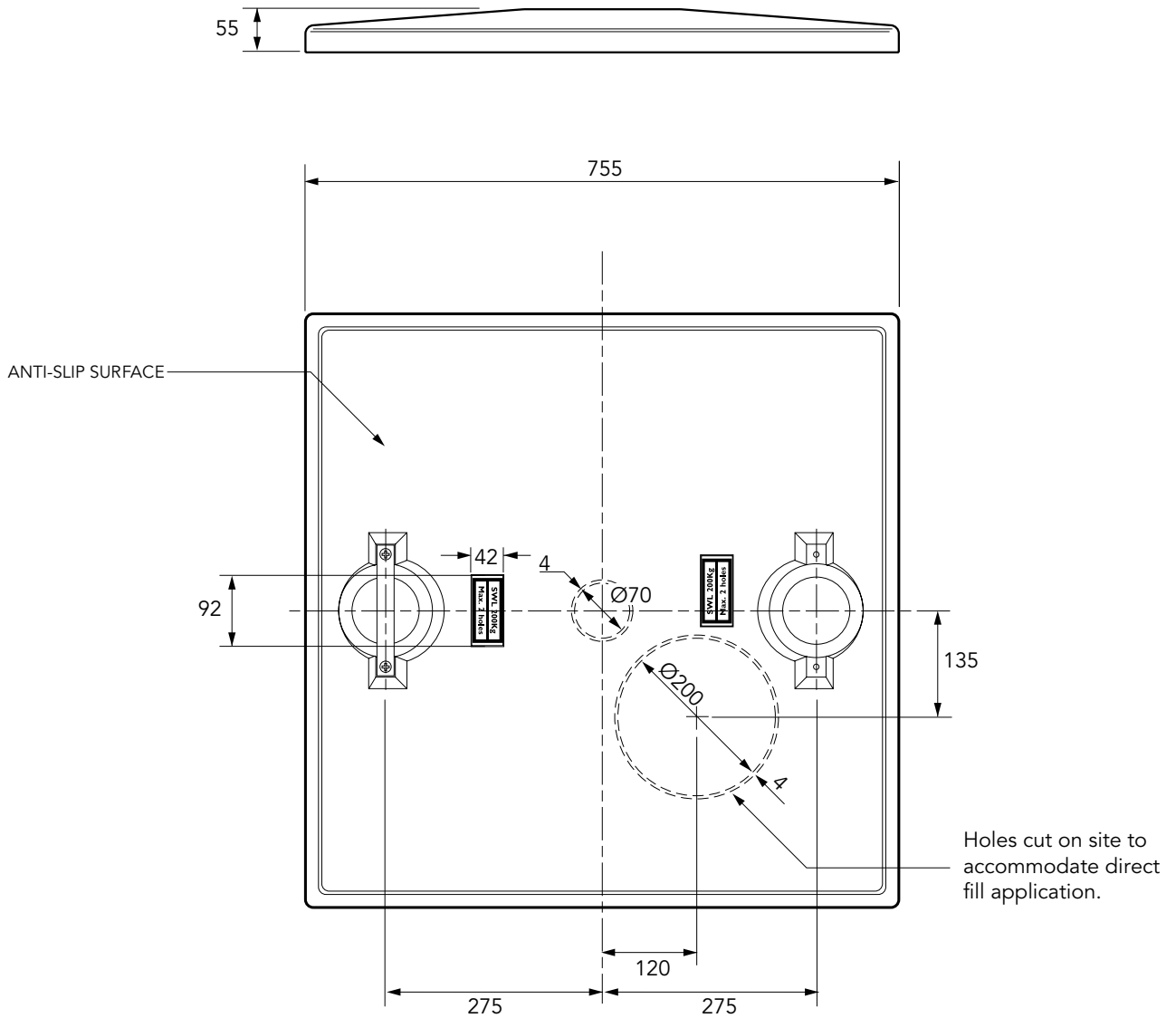


Holes cut in platform
on site to accommodate
Direct Fill pipe and
1" Piling Rod

Solid structural platform with hole markings for a offset direct fill and central dipstick. Fits square chamber systems with a FL76 cover. Holes cut on site. Anti-slip surface.

For reference purposes only. This drawing is not a specification. Order against product code only. To enable continuous improvement of our products, the designs and specifications are subject to change without notice.

FIBRELITE 
PART OF OPW A DOVER COMPANY



Solid structural platform with hole markings for a offset direct fill and central dipstick. Fits square chamber systems with a FL76 cover. Holes cut on site. Anti-slip surface.

For reference purposes only. This drawing is not a specification. Order against product code only. To enable continuous improvement of our products, the designs and specifications are subject to change without notice.

FIBRELITE 
PART OF OPW A DOVER COMPANY