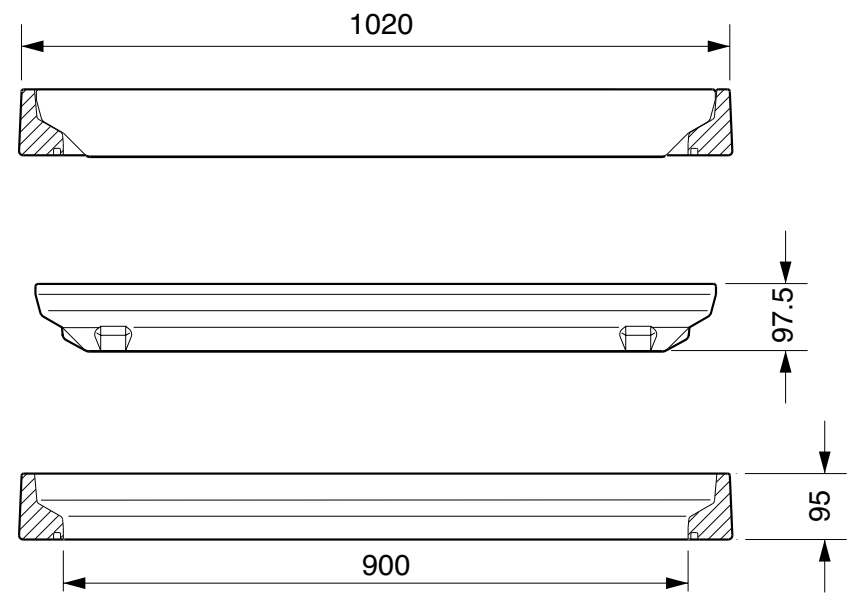
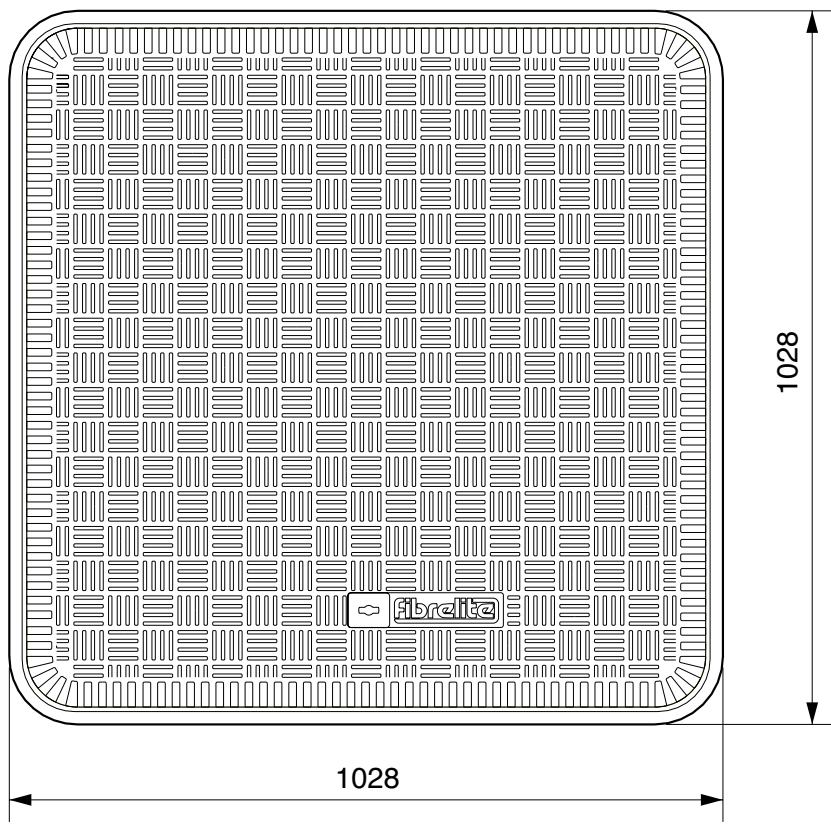


900mm square flat sealed composite cover with an aluminum frame.

For reference purposes only. This drawing is not a specification. Order against product code only. To enable continuous improvement of our products, the designs and specifications are subject to change without notice.

FIBRELITE 
PART OF OPW A DOVER COMPANY



Load Rating	Cover Weight	Frame Weight
A15	23 kg	16 kg
B125	28 kg	16 kg
C250	46 kg	16 kg
D400	65 kg	16 kg
E600	66 kg	16 kg
F900	86 kg	16 kg

900mm square flat sealed composite cover with an aluminum frame.

For reference purposes only. This drawing is not a specification. Order against product code only. To enable continuous improvement of our products, the designs and specifications are subject to change without notice.



CONCRETE

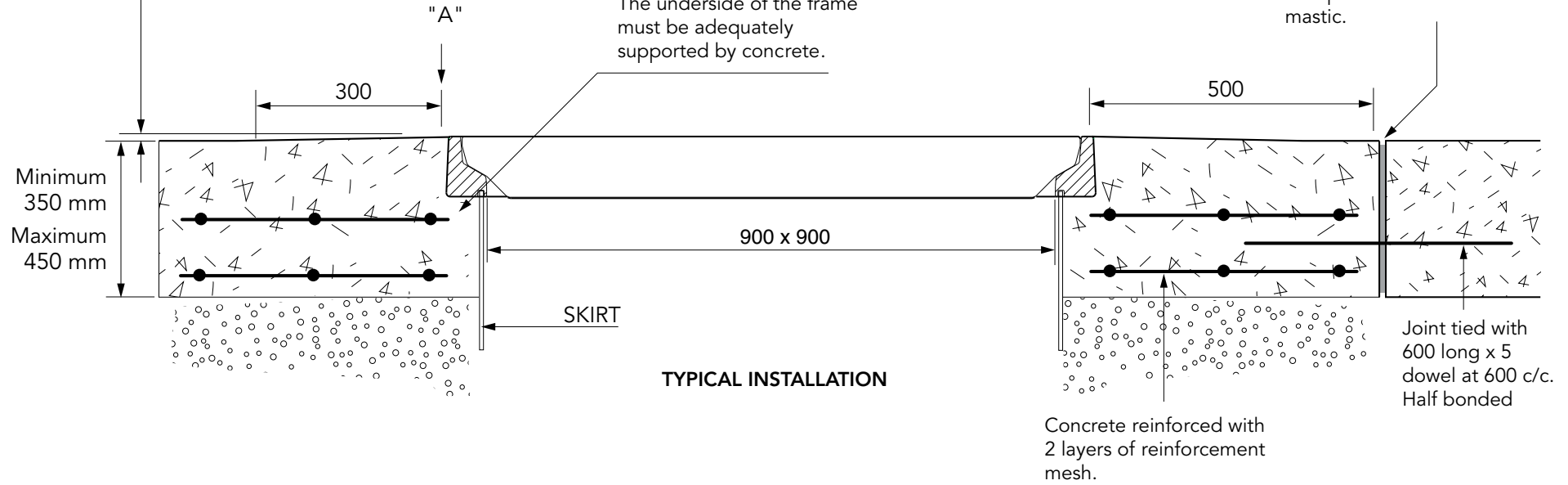
VERY IMPORTANT

OUTER EDGE "A" OF FRAME SET 5MM ABOVE GENERAL FORECOURT AREA WITH CONCRETE RAMPED AWAY OVER 300MM

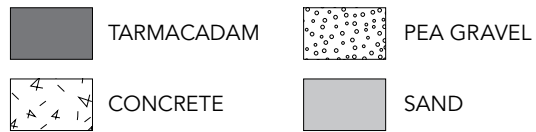
VERY IMPORTANT

The underside of the frame must be adequately supported by concrete.

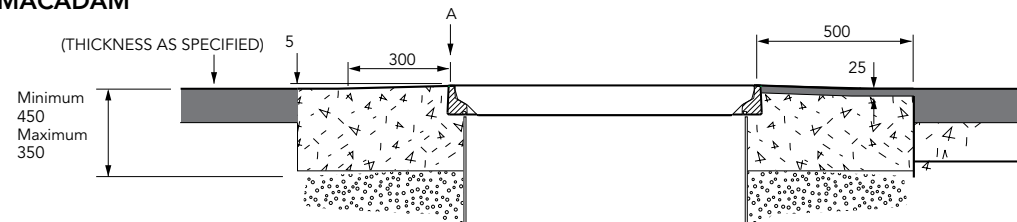
Expansion joint filled with petrol resistant mastic.



TYPICAL INSTALLATION



TARMACADAM



900mm square flat sealed composite cover with an aluminum frame.

For reference purposes only. This drawing is not a specification. Order against product code only. To enable continuous improvement of our products, the designs and specifications are subject to change without notice.

